

G04MCH Male Die Cast Zinc Indexed Clamping Handle

Features

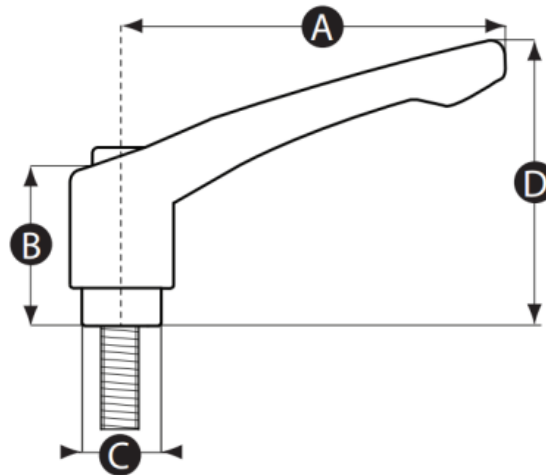
- Heavy duty die cast zinc handle and ratchet

Material

- Handle: Die cast zinc
- Insert: Chemically blackened steel or stainless steel boss, and ratchet with allen key fixing screw
- Male thread: Steel or stainless steel

Notes

- Other handle colours available on request (MOQs apply)



Part No.	A	B	C	D	Thread Size	Thread Length	Insert Material	Handle Colour
G04MCH-12075Q	42	25	10	37	M5	16	Blackened steel	Black
G04MCH-12076X						20		
G04MCH-12090W						20	Stainless steel	
G04MCH-12091S						25		
G04MCH-12082V					M6	16	Blackened steel	
G04MCH-12083R						20		
G04MCH-12085U						32		
G04MCH-12096U						16	Stainless steel	
G04MCH-12097Q						20		
G04MCH-12099T						32		
G04MCH-12104V	65	31	14	49	M6	25	Blackened steel	
G04MCH-12105R						32		
G04MCH-12118U						32	Stainless steel	
G04MCH-12119Q						40		

Part No.	A	B	C	D	Thread Size	Thread Length	Insert Material	Handle Colour					
G04MCH-12108Q	65	31	14	49	M8	16	Blackened steel	Black					
G04MCH-12109X						20							
G04MCH-12110T						25							
G04MCH-12111P						32							
G04MCH-12112W						40							
G04MCH-12113S						50	Stainless steel						
G04MCH-12122P						20							
G04MCH-12123W						25							
G04MCH-12124S						32							
G04MCH-12125Z						40							
G04MCH-12126V	50												
G04MCH-12128Y	78	36	16	57	M10	20	Blackened steel						
G04MCH-12130Q						32							
G04MCH-12131X						40							
G04MCH-12132T						50	Stainless steel						
G04MCH-12135S						20							
G04MCH-12137V						32							
G04MCH-12138R						40							
G04MCH-12142X						92	43		19	65	M10	20	Blackened steel
G04MCH-12144P												32	
G04MCH-12145W								40					
G04MCH-12146S	50												
G04MCH-12160R	50	Stainless steel											
G04MCH-12161Y	63												
G04MCH-12151U	M12	32	Blackened steel										
G04MCH-12152Q		40											
G04MCH-12153X		50											
G04MCH-12154T		63											
G04MCH-12165T		32	Stainless steel										
G04MCH-12166P		40											
G04MCH-12167W		50											
G04MCH-12168S	63												
G04MCH-12171R	108	51	23	77	M16	40	Blackened steel						
G04MCH-12176T						40	Stainless steel						